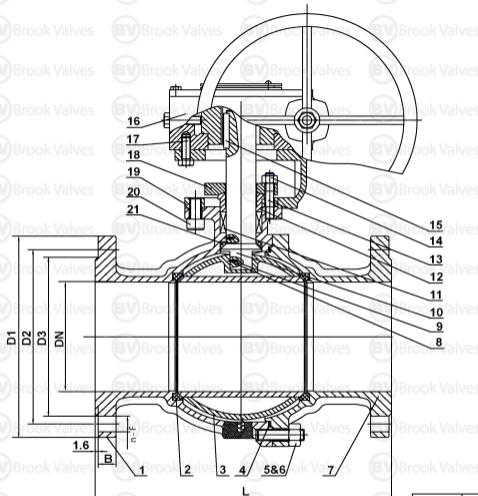


## FIRESAFE API 607

### TECHNICAL REQUIREMENTS

1. DESIGN AND MANUFACTURE PER ANSI B16.34
2. VALVE INSPECTION AND TEST PER API 598
3. FACE TO FACE DIMENSION PER ANSI B16.10
4. FLANGE CONNECTION DIMENSION PER ANSI B16.5



NO.	PARTS	MATERIAL
1	LEFT BODY	ASTM A216 WCB
2	BALL SEAT	R-PTFE
3	BALL	SS316
4	GASKET	SS + FLEXIBLE GRAPHTE
5	NUT	ASTM A194 2H
6	BOLT	ASTM A193 B7
7	RIGHT BODY	ASTM A216 WCB
8	ANTISTATIC BALL	SS316
9	SMALL SPRING	ASTM A182 F304
10	STEM	SS316
11	PACKING	ASTM A276 F316
12	GLAND BUSHING	GRAPHITE
13	BOLT	ASTM 193 B7
14	NUT	ASTM A194 2H
15	KEY	1045
16	MANUAL OPERATOR	CAST IRON
17	SCREW	1035
18	PACKING GLAND	ASTM A216 WCB
19	YOKE	ASTM A216 WCB
20	SCREW	1035
21	THRUST WASHER	R-PTFE

SIZE	DN	D1	D2	D3	B	n - F	L
150	152	318	270	216	37	12 - 22	403
200	203	381	330	270	42	12 - 25	502

REV B	BROOK VALVES	
DATE	JAN 2012	<b>BL300G</b>
SCALE	TO FIT	
<b>CS FIRESAFE BALL VALVE CLASS 300 GEAR OP</b>		