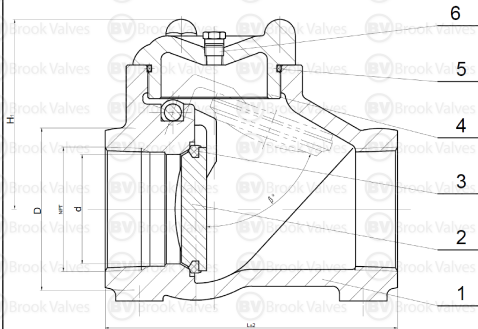


FEATURES

- DESIGN AND MANUFACTURED: API 6D
- PRESSURE & TEMPERATURE: ASME B16.34
- THREADED END: NPT (ASME B1.20.1)
- TEST & INSPECTION: API 598
- RATED TO 3,000 PSI



NO.	PART NAME	MATERIAL
1	BODY	ASTM A216 WCB
2	DISC	ASTM A351 CF8
3	SEALING RING	VITON
4	BONNET	ASTM A216 WCB
5	O-RING	VITON
6	PLUG	ASTM A105



SIZE	L	H1	NPT	d
25	120	80	1" - 11.5 NPT	25
50	184	108	2" - 11.5 NPT	50.4
65	204	124	2.5" - 8 NPT	65
80	204	136	3" - 8 NPT	78
100	254	200	4" - 8 NPT	101.5

REV	C	BROOK VALVES QZ614US WCB FULL BORE CHECK VALVE NPT 3000 PSI
DATE	Aug-21	
SCALE	TO FIT	