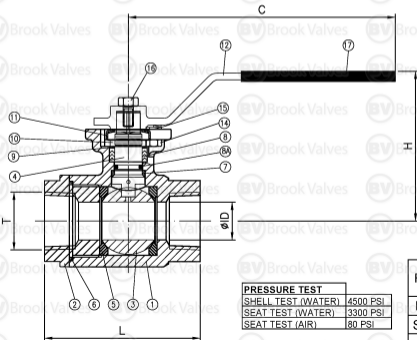
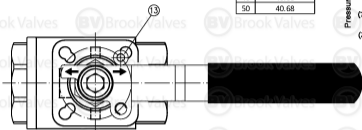
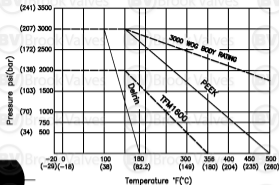


### FEATURES

- ISO-5211 MOUNTING PAD
- SQUARE STEM FOR DIRECT MOUNTING
- STEM IS BLOW-OUT PROOF DESIGN C/W ANTI-STATIC DEVICE
- VITON STEM O-RING
- LEVER OPERATOR AS STADARD
- FULL BORE TO 40NB
- REDUCED BORE 50NB

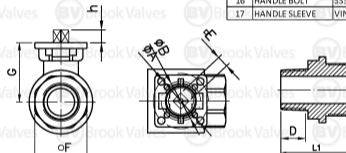
| SIZE | TORQUE (N.M) |
|------|--------------|
| 8    | 9.04         |
| 10   | 9.04         |
| 15   | 11.3         |
| 20   | 13.56        |
| 25   | 18.08        |
| 32   | 33.9         |
| 40   | 40.68        |
| 50   | 40.68        |



#### PRESSURE TEST

|                    |          |
|--------------------|----------|
| SHELL TEST (WATER) | 4500 PSI |
| SEAT TEST (WATER)  | 3300 PSI |
| SEAT TEST (AIR)    | 80 PSI   |

| ITEM | PART             | MATERIAL       |
|------|------------------|----------------|
| 1    | BODY             | CF8M           |
| 2    | END CAP          | CF8M           |
| 3    | BALL             | CF8M           |
| 4    | ANTI STATIC STEM | SS316          |
| 5    | BALL SEAT        | DELIRIN        |
| 6    | BODY SEAL        | PTFE, TEFLON   |
| 7    | THRUST WASHER    | PTFE, TEFLON   |
| 8    | STEM PACKING     | PTFE, TEFLON   |
| 8A   | O-RING           | VITON          |
| 9    | THRUST WASHER    | 50%SS, 50%PTFE |
| 10   | STEM NUT         | SS304          |
| 11   | LOCK SADDLE      | SS304          |
| 12   | HANDLE           | SS316          |
| 13   | STOP BOLT        | SS304          |
| 14   | STOP NUT         | SS304          |
| 15   | STOP WASHER      | SS304          |
| 16   | HANDLE BOLT      | SS304          |
| 17   | HANDLE SLEEVE    | VINYL          |



| SIZE | ID   | A   | B   | C   | E  | F    | G    | h  | H   | L   | L1    | D    | T   |
|------|------|-----|-----|-----|----|------|------|----|-----|-----|-------|------|-----|
| 8    | 9.6  | F03 | F04 | 126 | 9  | 25.9 | 41   | 8  | 72  | 75  | 88.9  | 11.4 | NPT |
| 10   | 9.6  | F03 | F04 | 126 | 9  | 25.9 | 41   | 8  | 72  | 75  | 88.9  | 11.4 |     |
| 15   | 12.7 | F03 | F04 | 126 | 9  | 32.6 | 41   | 8  | 72  | 75  | 92    | 15   |     |
| 20   | 17.5 | F03 | F04 | 126 | 9  | 38.4 | 43.8 | 8  | 75  | 81  | 99    | 16   | PT  |
| 25   | 22.1 | F04 | F05 | 156 | 11 | 47.2 | 53.5 | 10 | 87  | 91  | 113   | 20   |     |
| 32   | 29   | F04 | F05 | 156 | 11 | 58.9 | 59   | 10 | 93  | 110 | 127.1 | 21   | PF  |
| 40   | 34.7 | F05 | F07 | 181 | 14 | 66.2 | 75.2 | 13 | 114 | 121 | 141   | 22   |     |
| 50   | 34.7 | F05 | F07 | 181 | 14 | 82   | 75.2 | 13 | 114 | 145 | 155   | 23   |     |

REVA

**BROOK VALVES**

DATE JUN 2014

**V2 3000 ISO NPT**

SCALE TO FIT

**2-PC BALL VALVE ISO DIRECT MOUNT NPT SCREWED ENDS**