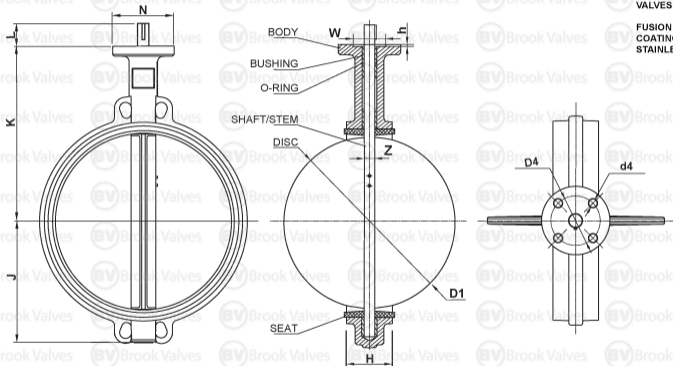


SIZE	K	J	H	Z	L	LOCATING HOLES TO SUIT PCD		D1	N	d4	D4	W x h	ISO	WEIGHT (kg)	
						TABLE D/E	ANSI 150							LEVER	GEAR
350	368	267	78	31.6	45	470	476.5	333.5	125	12	102	71 3.4	F10	-	65
400	400	309	102	33.15	51	521	540	389.6	175	18	140	101 5	F14	-	75
450	422	328	114	38	51	584	578	440.5	175	18	140	101 5	F14	-	98
500	480	349	127	41.15	64	641	635	491.6	175	18	140	101 5	F14	-	140
600	562	440	154	50.6	70	756	749.5	592.5	210	22	165	131 6	F16	-	220

NO	PART NAME	MATERIAL
1	BODY	CAST IRON
2	DISC	CF8M
3	STEM	410 SS
4	SEAT	EPDM
5	O-RING	NBR (NITRILE)

350mm (14") ~ 600mm (24") WAFER  
TABLE D/E & ANSI 150 BUTTERFLY  
VALVES GEAR OPERATED ONLY

FUSION BONDED EPOXY (FBE)  
COATING BLUE BODY COLOUR  
STAINLESS DISC



**OPERATING TORQUE Nm\***  
\* Allow a Safety Factor when sizing actuators

SIZE	SHUT OFF PRESSURE kPa	
	600	1000
350	564	736
400	770	1011
450	1025	1355
500	1332	1807
600	2990	3125

REV D	BROOK VALVES	
DATE	MAR 2015	WEEG
SCALE	TO FIT	
		RATED 10 BAR
CAST IRON WAFER TABLE D/E & ANSI 150 BUTTERFLY VALVES		