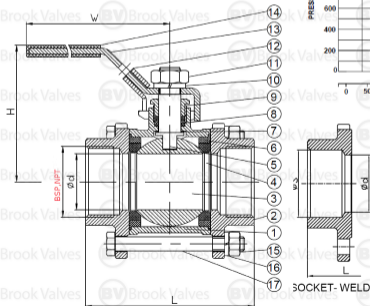
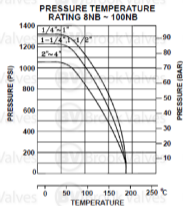


FEATURES:

- INSPECTION & TESTING TO API 598
- THREADS TO DIN259, DIN2999, ISO 228 CLASS A
- BLOW-OUT PROOF STEM / FULL PORT
- INVESTMENT CASTING BODY
- 1000 PSI (PN63) W.O.G
- LOCKING DEVICE
- (BSP & SW) BLUE HANDLE
- (NPT) BLACK HANDLE



NO.	PART NAME	MATERIAL
1	BODY	A351 CF8M
2	CAP	A351 CF8M
3	BALL	A351 CF8M
4	SEAT	RPTFE
5	STEM	SUS 316
6	GASKET	RPTFE
7	THRUST WASHER	RPTFE
8	PACKING	RPTFE
9	GLAND	SUS 304
10	SPRING WASHER	SUS 304
11	STEM NUT	SUS 304
12	LOCKING DEVICE	SUS 304
13	HANDLE	SUS 304
14	PLASTIC COVER	PLASTIC
15	HEX NUT	SUS 304
16	BOLT WASHER	SUS 304
17	JOINT BOLT	SUS 304

SIZE	L	d	S	H	W	C	Cv FACTOR	Weight KG
8	58	11.6	14.1	54	102	37.5	6	0.4
10	58	12.7	17.6	54	102	37.5	7	0.4
15	63	15	21.7	62	123	45.5	10	0.5
20	73	20	27.1	66	123	52.5	25	0.6
25	85	25	33.8	77	153	57.5	35	0.9
32	96	32	42.6	80	153	71.5	46	1.4
40	114	38	48.7	91	183	79	80	2
50	134	50	61.1	98	183	97	110	3.1
65	180	65	76.9	138	246	124.5	310	6.5
80	200	80	89.8	149	246	149	360	9.1
100	228	100	115.5	175	350	180.6	820	14.4

REV	F	BROOK VALVES	
DATE	Nov-20	V3 3PCE - SW/BSP/NPT	
SCALE	TO FIT		
3-PCE BALL VALVE FB BSP/NPT/SW ENDS LOCKABLE LEVER			