

DESCRIPTION :**BRONZE GLOBE - STAINLESS TRIM**

Union Bonnet Type (c/w Grub Screw)

Heavy Bronze construction with 410 S/S trim make this valve very rugged.

BODY :

BRONZE

TRIM :

410 S/S INCLUDING SPINDLE

Max Inlet Steam :

2100 kPa

Body Test Pressure :

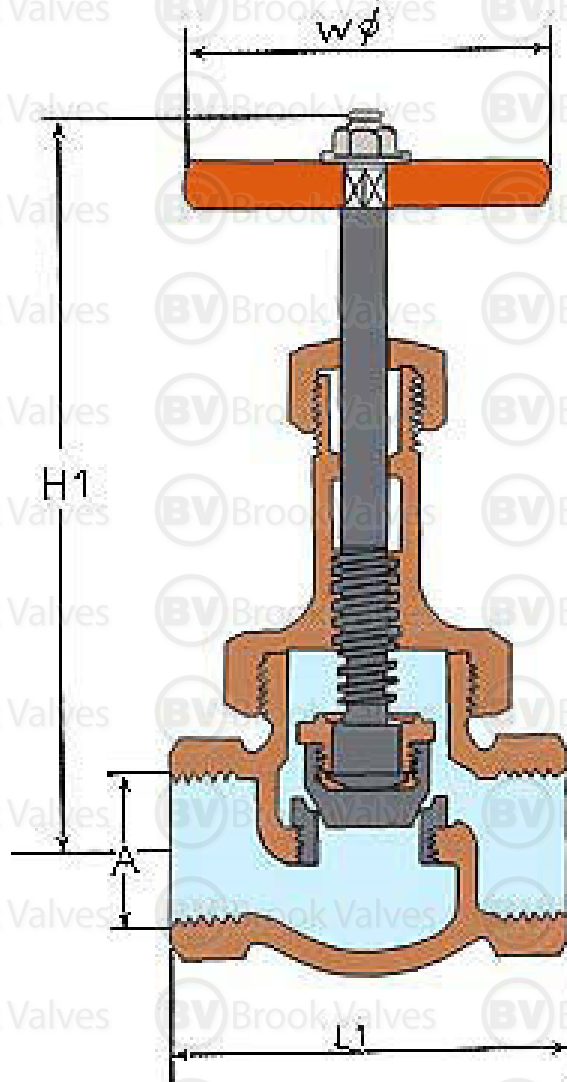
4200 kPa

Max Temperature :

225 Deg C

End Connections :

BSPT



ITEM	NAME	MATERIAL	STANDARD
1	BODY	BRONZE	BS:1400 LG2
2	BODY SEAT RING	STAINLESS STEEL	AISI-410
3	SEAT	STAINLESS STEEL	AISI-410
4	CHECK NUT	BRONZE	BS:1400 LG2
5	UNION	BRONZE	BS:1400 LG2
6	BONNET	BRONZE	BS:1400 LG2
7	SPINDLE	STAINLESS STEEL	AISI-410
8	GLAND PACKING	NON ASBESTOS	-
9	GLAND	BRONZE	BS:1400 LG2
10	GLAND NUT	BRONZE	BS:1400 LG2
11	HAND WHEEL	S.G. IRON	-
12	WASHER	MILD STEEL	-
13	HEX. NUT	MILD STEEL	-
14	ALUMINUM PLATE	ALUMINUM	-
15	GRUB SCREW	STAINLESS STEEL	AISI-304

SIZE (A)	H1	L1	W	WEIGHT (kg)
10	110	62	67	0.6
15	133	68	68	0.9
20	157	84	84	1
25	170	92	92	1.2
32	175	105	105	1.8
40	200	118	118	2.3
50	237	145	145	3.1



REV B	BROOK VALVES	
DATE	JUN 2018	B501
SCALE	TO FIT	
BRONZE UNION BONNET GLOBE VALVE S/S TRIM		