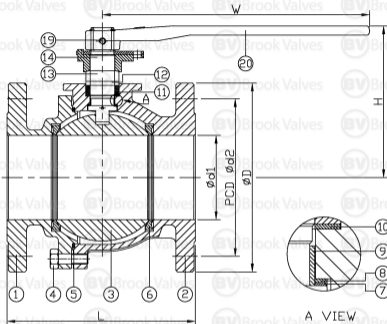
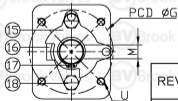


Fire Safe Certified to API 607 5th Edition

SIZE	d1	d2	D	L	H	W	M	G	U	TORQUE Nm	WEIGHT Kg
65	65	149	190	241	168	400	17	102	M10x1.5	90	25
80	76.5	168	210	282	173	400	17	102	M10x1.5	120	30
100	102	200	254	305	195	400	17	102	M10x1.5	230	40



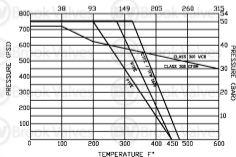
A VIEW



1. Design and Manufactured : ANSI B16.34
2. Valve Inspection & Test : API 598
3. Face to Face Dimensions : ANSI B16.10
4. Flange Connection Dimensions : ANSI B16.5
5. Blow-out Proof Stem
6. Fire Safe : API 607 5th Edition

NO.	PARTS	MATERIAL
1	CAP	ASTM A351 CF8M
2	BODY	ASTM A351 CF8M
3	BALL	ASTM A351 CF8M
4	BOLT	AISI 304
5	BODY SEAL	GRAPHITE
6	SEAT	TFM 1600
7	THRUST WASHER 1	CTFE
8	THRUST WASHER 2	CTFE
9	THRUST WASHER 3	PTFE
10	PACKING 1	GRAPHITE
11	PACKING 2	GRAPHITE
12	GLAND RING 1	AISI 304
13	GLAND RING 2	AISI 304
14	STEM	AISI 316
15	STOPPER	ASTM A276 304
16	GLAND	ASTM A351 CF8M
17	CIRCLIPS FOR SHAFTS	AISI 304
18	BOLT	AISI 304
19	SOCKET SET SCREWS	AISI 304
20	HANDLE	ASTM A351 CF8M

PRESSURE-TEMPERATURE RATING
TEMPERATURE °C



REV C

BROOK VALVES

DATE JAN 2012

SS2020N

SCALE TO FIT

316SS FIRESAFE API 607 BALL VALVE CLASS 300