

FEATURES

FACE TO FACE DIMENSION: ANSI B16.10

END FLANGE DIMENSIONS: ANSI B16.5

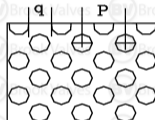
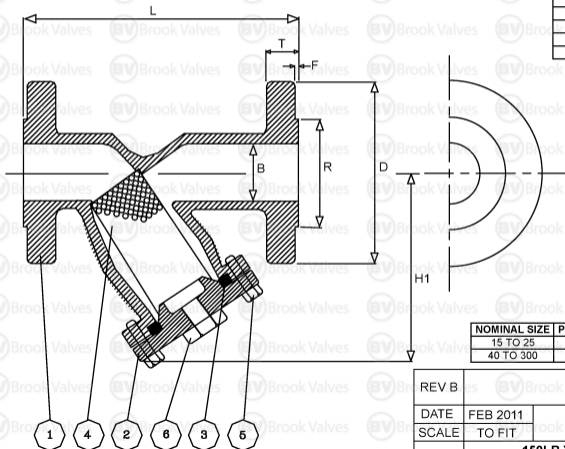
DESIGN: ANSI B16.34

TEST: API 598

INVESTMENT CASTING BODY

NO	PART NAME	MATERIAL
1	BODY	A351 CF8M
2	BODY CAP	A351 CF8M
3	GASKET	PTFE
4	SCREEN	SUS 316
5	CAP BOLT	SUS 316
6	DRAIN PLUG	SUS 316

SIZE (B)	L	H1	D	R	F	T	KG
15	120	85	89	35	1.6	12.1	1.5
20	140	87	98	43	1.6	12.1	2.4
25	150	114	108	51	1.6	12.1	3.5
40	190	135	127	73	1.6	14.3	6
50	210	155	152	92	1.6	15.9	8.5
65	250	189	178	105	1.6	17.5	14.5
80	280	200	190	127	1.6	19.1	17.6
100	340	232	229	157	1.6	23.9	26
125	380	274	254	186	1.6	23.9	35
150	420	326	279	216	1.6	25.4	50
200	500	397	343	270	1.6	28.6	100
250	730	512	406	324	1.6	30.2	147
300	850	562	483	381	1.6	31.8	216



NOMINAL SIZE	DRAIN PLUG THREAD SPEC
15 TO 25	NIL
40 TO 300	1/2" BSPT

NOMINAL SIZE	PERFORATION	PITCH OF HOLES	SCREEN THICKNESS
15 TO 25	1.5	2	0.4
40 TO 300	2	3.5	0.6

REV B	BROOK VALVES	
DATE	FEB 2011	YST-150UD
SCALE	TO FIT	
150LB Y STRAINER 316SS WITH DRAIN PLUG		