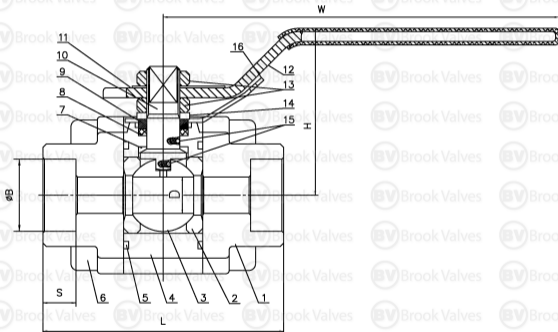


TECHNICAL REQUIREMENTS

1. DESIGN AND MANUFACTURE TO CONFORM TO BS5351
2. FACE TO FACE TO CONFORM TO MANUFACTURER
3. SW ENDS CONFORM TO ANSI B16.11
4. TEST & INSPECT CONFORM TO API598
5. PRESSURE - TEMP CONFORM TO BS5351
6. FIRE SAFE CONFORM TO API607



ITEM	NAME	MATERIAL
1	BONNET	A105N
2	SEAT	RTFE
3	BALL	A182 316
4	BODY	A105N
5	SPW GASKET	316SS + GRAPHITE
6	CAP SCREW	B7
7	GASKET	RPTFE
8	PACKING	GRAPHITE
9	BUSHER	A276 410
10	STEM	316 SS
11	NAMEPLATE	AL
12	LEVER	1045 + Zn
13	NUT	1045 + Zn
14	SPRING GASKET	65Mn
15	ANTI-STATIC SPRING	316 SS
15	STEEL BALL	316 SS
16	LOCK FACILITY	304 SS

PERFORMANCE SPECIFICATION		
	CLASS	800lb
TESTING	SHELL TEST	21
	BACK SEAT TEST	
	SEAL TEST	15.4
	AIR TEST	0.6
	WORKING TEMP.	-29 - 120 deg C
	MEDIUM-W.O.G.	

SIZE	L	D	H	W	B	S
15	73	14	52	120	21.8	9
20	88	20.5	60	145	27.2	12
25	105	25	65	145	33.9	17.5
32	116	31.6	86	175	42.7	22.5
40	128	38	93	175	48.8	29
50	146	49	110	260	61.2	35

REV B

BROOK VALVES

DATE APR 2017

BL800-SW

SCALE TO FIT

BALL VALVE FORGED STEEL CLASS 800 SOCKET WELD