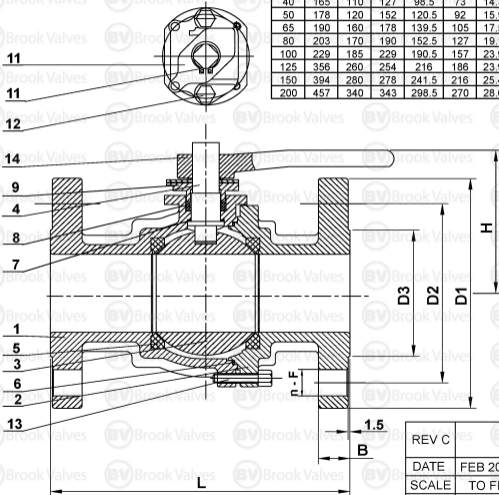


TECHNICAL REQUIREMENTS

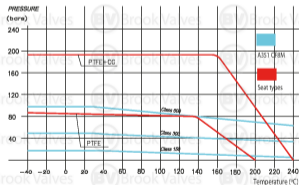
- DESIGN AND MANUFACTURE PER ANSI B16.34
- FACE TO FACE DIMENSION PER ANSI B16.10
- FLANGE CONNECTION DIMENSION PER ANSI B16.5
- BLOW-OUT PROOF STEM / FULL PORT
- LEVER OPERATED OR GEAR OPERATED

| SIZE | L | H | D1 | D2 | D3 | B | n-F |
|------|-----|-----|-----|-------|-----|------|------|
| 15 | 108 | 85 | 89 | 60.5 | 35 | 11.1 | 4-16 |
| 20 | 117 | 90 | 98 | 70 | 43 | 11.1 | 4-16 |
| 25 | 127 | 100 | 108 | 79.5 | 51 | 11.1 | 4-16 |
| 32 | 140 | 105 | 117 | 89 | 64 | 12.7 | 4-16 |
| 40 | 165 | 110 | 127 | 98.5 | 73 | 14.3 | 4-19 |
| 50 | 178 | 120 | 152 | 120.5 | 92 | 15.9 | 4-19 |
| 65 | 190 | 160 | 178 | 139.5 | 105 | 17.5 | 4-19 |
| 80 | 203 | 170 | 190 | 152.5 | 127 | 19.1 | 4-19 |
| 100 | 229 | 185 | 229 | 190.5 | 157 | 23.9 | 8-19 |
| 125 | 356 | 260 | 254 | 216 | 186 | 23.9 | 8-22 |
| 150 | 394 | 280 | 278 | 241.5 | 216 | 25.4 | 8-22 |
| 200 | 457 | 340 | 343 | 298.5 | 270 | 28.6 | 8-22 |

| NO. | PART NAME | MATERIAL |
|-----|---------------|------------------------|
| 1 | BODY | CF8M |
| 2 | CAP | CF8M |
| 3 | BALL | CF8M |
| 4 | STEM | 316SS |
| 5 | SEAT | PTFE 25% CARBON FILLED |
| 6 | GASKET | PTFE 25% CARBON FILLED |
| 7 | THRUST WASHER | PTFE 25% CARBON FILLED |
| 8 | PACKING | PTFE 25% CARBON FILLED |
| 9 | GALAND | 304SS |
| 10 | STOPPER | 304SS |
| 11 | SNAP RING | 304SS |
| 12 | GLAND BOLT | 304SS |
| 13 | STUD BOLT | 304SS |
| 14 | SET NUT | 304SS |
| 15 | HANDLE | WCB |



Pressure - Temperature limitations



REV C

BROOK VALVES

DATE FEB 2016

V2F-HT-150

SCALE TO FIT

316SS BALL VALVE FB CLASS 150 LEVER OP