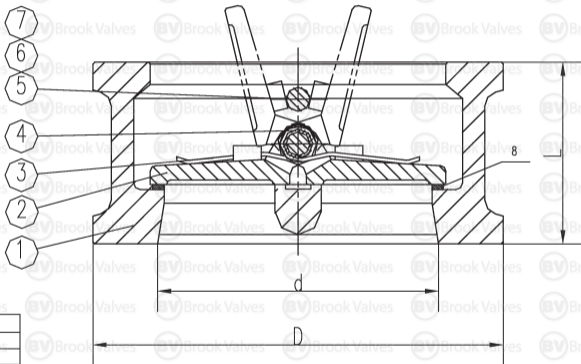


MAIN PARAMETER SPECIFICATION

- 1.Design and Manufacture in accordance with API 594
- 2.Pressure Temperature Ratings ANSI B16.34
- 3.Flange dimensions to ANSI B16.5
- 4.Valves tested to API 598

| SPECIFICATIONS | |
|------------------------|-----------------------------|
| SHELL TEST | 16.5MPa |
| SEAL TEST | 12.0MPa(Static) 6.0MPa(Air) |
| APPLICABLE MEDIUM | W.O.G |
| APPLICABLE TEMPERATURE | -29 to 425 °C |
| BODY MATERIAL | WCB |

| No | Part Name | Materials |
|----|-------------------|-----------|
| 1 | Body | A516 WCB |
| 2 | Disc | A311 CF8M |
| 3 | Spring | Inconel |
| 4 | Adjustment Washer | A312 F316 |
| 5 | Pin | A312 F316 |
| 6 | Washer | A312 F316 |
| 7 | Screw | A312 F316 |
| 8 | Seat | 316 |



| SIZE (NB) | | DIM | | |
|-----------|-----|-----|-----|-----|
| in | mm | d | L | D |
| 2 | 50 | 51 | 60 | 111 |
| 3 | 80 | 76 | 73 | 149 |
| 4 | 100 | 102 | 79 | 194 |
| 6 | 150 | 152 | 137 | 267 |
| 8 | 200 | 203 | 165 | 321 |
| 10 | 250 | 254 | 213 | 400 |
| 12 | 300 | 305 | 229 | 457 |

| | | | |
|---|---------------------|------------------|--|
| REV B | BROOK VALVES | | |
| DATE | JAN 2006 | CS600 DUO | |
| SCALE | TO FIT | | |
| CAST STEEL 600# DUAL PLATE WAFER CHECK VALVE | | | |