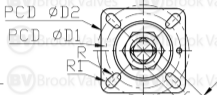


### TECHNICAL REQUIREMENTS

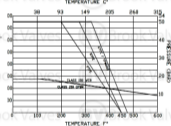
- 1- FLANGED ENDS TO ANSI B16.34 & B16.5
- 2- FACE TO FACE TO ANS B16.10
- 3- ANTI-STATIC DEVICE
- 4- BLOW-OUT PROOF STEM
- 5- ISO 5211 DIRECT MOUNT PAD
- 6- FIRESAFE TO API 607 Edition 5
- 7- DESIGN TO API 608
- 8- PRESSURE TEST TO API 598
- 9- LOCKABLE

SIZE	L	d	G	C	D	H	H1	H2	W	T	f	S	D1	D2	R	R1	N - Øm	TORQUE Nm	
																		BREAK	ACTION
125	356	125	186	216	254	232	28	180	757.5	24	1.6	27	102	125	5.5	6.5	8 - Ø22	160	96
150	394	150	216	241.5	279	253	27.5	201	757.5	25	1.6	27	125	140	5.5	6.5	8 - Ø22	250	170

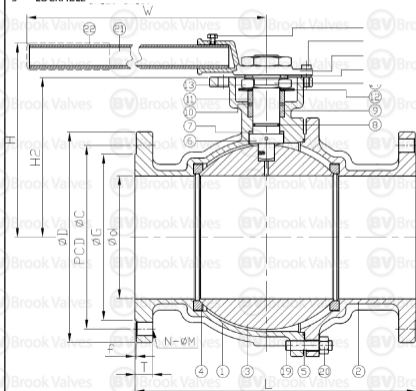


DN125~DN150

PRESSURE-TEMPERATURE RATING



ITEM	PART	MATERIAL
1	BODY	ASTM A351 CF8M
2	CAP	ASTM A351 CF8M
3	BALL	ASTM A351 CF8M
4	SEAT	TFM1600
5	SEAL	SS316 + GRAPHITE
6	STEM	ASTM A276-316
7	THRUST WASHER	CTFE
8	O-RING	VITON
9	PACKING A	GRAPHITE
10	PACKING B	CTFE
11	GLAND RING	AISI 304
12	BELLEVILLE WASHER	AISI 301
13	STEM NUT	AISI 304
14	LOCK WASHER	AISI 304
15	FLAT	AISI 304
16	HANDLE HEAD	AISI 304
17	STOP PIN	AISI 304
18	BOLT	AISI 304
19	STUD	AISI 304
20	NUT	AISI 304
21	STEEL TUBE	AISI 304
22	HANDLE SLEEVE	PVC



Fire Safe Certified to API 607 5th Edition

REV	E	<h1>BROOK VALVES</h1> <h2>2020D</h2> <p>316SS FIRESAFE API 607 BALL VALVE CLASS 150</p>
DATE	Jun-20	
SCALE	TO FIT	