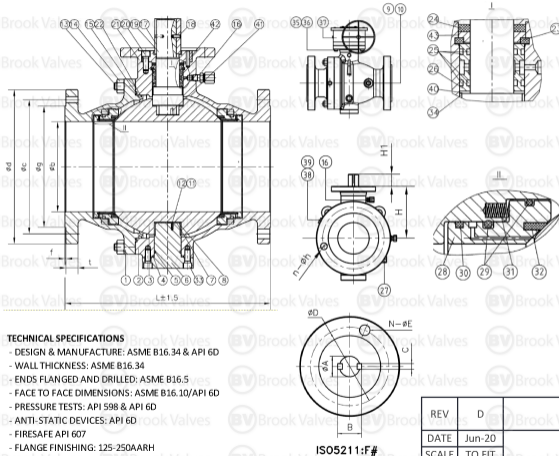


DIMENSIONS							CLASS 300#		
SIZE	L	øB	øD	øC	øG	n-øH	t	f	H
150	403	150	320	269.9	215.9	12 - ø22.4	35	2	227
200	502	201	380	330.2	269.9	12 - ø25.4	39.7	2	264.5
250	568	252	445	387.4	323.8	16 - ø28.6	46.1	2	315
300	648	303	520	450.8	381	16 - ø32	49.3	2	364

ACTUATOR MOUNTING DIMENSIONS								TORQUE	
SIZE	ISO 5211	øA	B	C	øD	N - øE	H1	BREAK	MAST
150	F16	40	46	12	165	4 - ø22	55	580	3400
200	F16	50	57	14	165	4 - ø22	64.5	1100	6700
250	F25	60	68	18	254	8 - ø18	71	1800	11700
300	F25	70	79	20	254	8 - ø18	75	2600	18500

NO.	PART NAME	MATERIAL
1	CLOSURE	ASTM A216 WCB
2	BODY	ASTM A216 WCB
3	BALL	ASTM A182 F316
4	GASKET	316 + GRAPHITE
5	O RING	VITON
6	TRUNNION	ASTM A105N
7	THRUST WASHER	1045 + PTFE
8	TRUNNION BEARING	1045 + PTFE
9	INJECTION FITTING	AISI 3025
10	CHECK VALVE	ASTM A276 316
11	ANTI-STATIC PULLER	ASTM A276 316
12	ANTI-STATIC SPRING	ASTM A276 316
13	STUD	ASTM A193 B7
14	NUT	ASTM A194 2H
15	GASKET	316 + GRAPHITE
16	INJECTION FITTING	AISI 3025
17	KEY	KEY 1045
18	PIN	A576 1566
19	STEM	ASTM A182 F316
20	SCREW	ASTM A193 B7
21	GLAND	ASTM A105N
22	O RING	VITON
23	SEGMENT RING	ASTM A276 410
24	PACKING	FLEXIBLE GRAPHITE
25	O RING	VITON
26	LANTERN RING	ASTM A276 410
27	CHECK VALVE	AISI 3025
28	SEAT RING	ASTM A182 F316
29	O RING	VITON
30	FIRE SAFE SEAL	FLEXIBLE GRAPHITE
31	SPRING	INCONEL X-750
32	SEAT INSERT	RPTFE
33	SCREW	ASTM A193 B7
34	STEM BEARING	1045 + PTFE
35	STUD	ASTM A193 B7
36	NUT	ASTM A194 2H
37	GEAR	ASTM A216 WCB
38	NAME PLATE	ASTM A276 304
39	RIVET	ASTM A276 304
40	THRUST WASHER	PTFE
41	ANTI-STATIC SPRING	ASTM A276 316
42	PIN	AISI 1045
43	SEGMENT RING RETAINER	ASTM A182 F316



TECHNICAL SPECIFICATIONS

- DESIGN & MANUFACTURE: ASME B16.34 & API 6D
- WALL THICKNESS: ASME B16.34
- ENDS FLANGED AND DRILLED: ASME B16.5
- FACE TO FACE DIMENSIONS: ASME B16.10/API 6D
- PRESSURE TESTS: API 598 & API 6D
- ANTI-STATIC DEVICES: API 6D
- FIRESAFE API 607
- FLANGE FINISHING: 125-250AARH
- LOCKABLE GEAR BOX

ISO5211:F#

REV	D
DATE	Jun-20
SCALE	TO FIT

BROOK VALVES

TBL300G

CS FIRESAFE BALL VALVE CLASS 300 GEAR OP