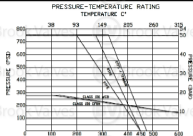
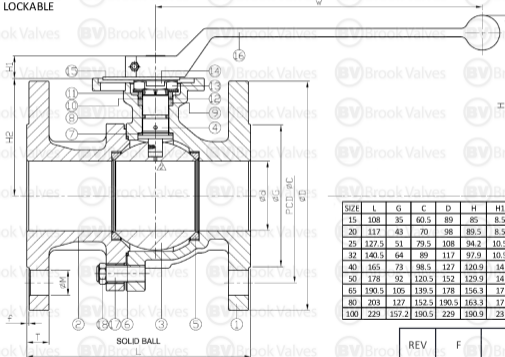


TECHNICAL REQUIREMENTS

- 1- FLANGED ENDS TO ANSI B16.34 & B16.5
- 2- FACE TO FACE TO ANS B16.10
- 3- ANTI-STATIC DEVICE
- 4- BLOW-OUT PROOF STEM
- 5- ISO 5211 DIRECT MOUNT PAD
- 6- FIRESAFE TO API 607 Edition 5
- 7- DESIGN TO API 608
- 8- PRESSURE TEST TO API 598
- 9- LOCKABLE



ITEM	PART	MATERIAL
1	BODY	ASTM A351 - CF8M
2	CAP	ASTM A351 - CF8M
3	BALL	ASTM A351 - CF8M
4	STEM	ASTM A276-316
5	SEAT	TFM1600
6	BODY SEAL	GRAPHITE
7	THRUST WASHER	CTFE
8	O RING	VITON
9	PACKING A	GRAPHITE
10	PACKING B	CTFE
11	GLAND RING	AISI 304
12	BELLEVEUE WASHER	AISI 301
13	STEM NUT	AISI 304
14	LOCK WASHER	AISI 304
15	STOPPER	AISI 304
16	HANDLE	AISI 304
17	STUD	AISI 304
18	NUT	AISI 304
19	NUT	AISI 304
20	BOLT	AISI 304



Fire Safe Certified to API 607 5th Edition

SIZE	L	G	C	D	H	H1	H2	W	T	f	S	D1	D2	R1	R2	M	TORQUE Nm	
																	BREAK	ACTION
15	108	35	60.5	89	85	8.5	50.5	190	11.1	1.6	9	36	42	2.75	2.75	16	5.2	3
20	117	43	70	98	89.5	8.5	54	190	11.6	1.6	9	36	42	2.75	2.75	16	8	4.7
25	127.5	51	79.5	108	94.2	10.5	59	190	11.6	1.6	11	42	50	2.75	3.5	16	12.5	9
32	140.5	64	89	117	97.9	10.5	62	190	12.7	1.6	11	42	50	2.75	3.5	16	14	11
40	165	73	98.5	127	120.9	14	76.5	235	14.3	1.6	14	50	70	3.5	4.5	16	24.5	18
50	178	92	120.5	152	129.9	14	84.5	235	16	1.6	14	50	70	3.5	4.5	19	32	23
65	190.5	105	139.5	178	156.3	17	105	325	17.5	1.6	17	70	102	4.5	5.5	19	38	27
80	203	127	152.5	190.5	163.3	17	110.5	325	19.1	1.6	17	70	102	4.5	5.5	19	45	30
100	229	157.2	190.5	229	190.9	23	136	325	24	1.6	22	102	125	5.5	6.5	19	55	37

REV	F	<h1>BROOK VALVES</h1> <h2>2020D</h2> <p>316SS FIRESAFE API 607 BALL VALVE CLASS 150</p>
DATE	May-20	
SCALE	TO FIT	