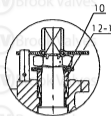
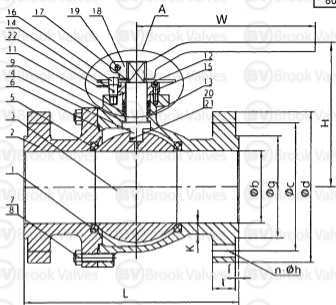
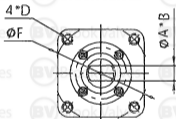


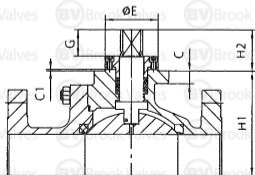
SIZE	L	b	d	c	g	n-h	t	f	H	W	A*B	C	C1	D	E	F	G	H1	H2
50	292	51	165	127	92	8-20	26	6.4	129	400	24*19	15	2	M8	55	70	25	85	55
80	356	76	210	168	127	8-23	32	6.4	185	900	24*19	15	2	M10	70	102	32	114	49



DETAIL-A
SMALLER SIZE
1"8.2"



NO.	PART NAME	MATERIAL
1	BODY	ASTM A216 GR. WCB
2	END PIECE	ASTM A216 GR. WCB
3	BALL	ASTM A182-F316
4	STEM	ASTM A182-F316
5	BALL SEAT	R-PTFE
6	BODY GASKET	SPW.316 + GRAPHITE
7	STUD BOLTS	ASTM A193 GR.B7M
8	STUD BOLTS NUTS	ASTM A194 GR.2HM
9	THRUST BEARING	R-PTFE
10	SPRING WASHER	ALLOY STEEL
11	PACKING	GRAPHITE
12	GLAND FLANGE	ASTM A216 GR. WCB
12.1	GLAND	ASTM A276 TYPE 410
13	STEM SLEEVE	R-PTFE
14	STOP PIN	STAINLESS STEEL
15	GLAND FLANGE BOLT	ASTM A193 GR.B7M
16	STOP PLATE	CARBON STEEL + ZINC
17	RETAINER	ASTM A686-W1
18	LEVER	ASTM A216 GR. WCB
19	LEVER SCREW	CARBON STEEL
20	ANTI-STATIC BALL	ASTM A276 TYPE 316
21	ANTI-STATIC SPRING	ASTM A276 TYPE 316
22	LOCKING PLATE	STAINLESS STEEL



NOTES

- BASIC DESIGN I/A/W APPLICABLE REQUIREMENTS OF API6D SPECIFICATION
- WALL THICKNESS I/A/W ASME B16.34
- ENDS FLANGED & DRILLED I/A/W ASME/ANSI B16.5
- FACE TO FACE DIMENSIONS I/A/W ASME/ANSI B16.10
- PRESSURE TEST I/A/W API6D
- ANTI-STATIC DEVICES I/A/W API6D
- FIRE SAFE DESIGN TO API 607
- MATERIALS COMPLY WITH NACE MR-0103

REV B	BROOK VALVES	
DATE	JUL 2012	BL600
SCALE	TO FIT	
WCB FIRESAFE API 607 BALL VALVE CLASS 600		