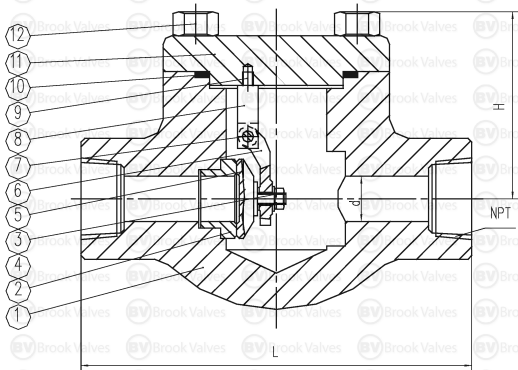


**MAIN PARAMETER SPECIFICATION**

1. Design and Manufacture: API 602
2. Threaded End: ASME/ANSI B1.20.1
3. Pressure - Temp: ASME/ANSI B16.34
4. Pressure Test: API 598

NO	PART NAME	MATERIAL
1	BODY	ASTM A182 F316L
2	SEAT	ASTM A276 316L + STL
3	WASHER	ASTM A276 316L
4	DISC NUT	ASTM A276 316L
5	DISC	ASTM A182 F316L
6	HINGE	ASTM A182 F316L
7	PIN	ASTM A276 316L
8	YOKE	ASTM A276 316L
9	SCREW	ASTM A193 B8
10	GASKET	SS316L + GRAPHITE
11	BONNET	ASTM A182 F316L
12	BOLT	ASTM A193 B8



SIZE	d	L	NPT	H
15	10	79	1/2	61
20	13.6	92	3/4	61
25	18	111	1	78
32	24	120	1 1/4	84
40	29	152	1 1/2	103
50	36.5	172	2	118

REV C

**BROOK VALVES**

DATE AUG 2015

**SSCK800 NPT**

SCALE TO FIT

**316L STAINLESS STEEL SWING CHECK VALVE 800 LB - NPT**