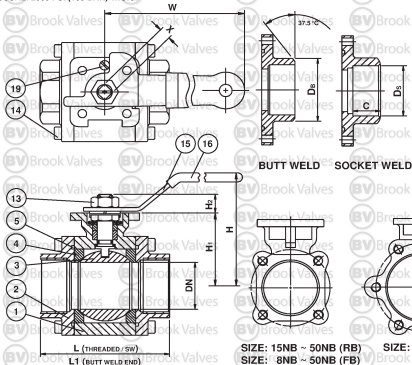


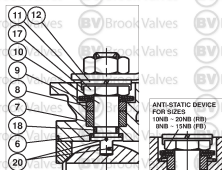
FIRESAFE API 607

C/W ISO 5211 MOUNTING PAD
 DIN 3202-M3 (SCREWED ENDS / SOCKET WELD ENDS)
 DIN 3202-S13 (BUTT WELD ENDS)

PRESSURE: 2000 PSI (138 BAR) W.O.G.



NO	PART NAME	MATERIAL
1	BODY	ASTM A351 CF8M
2	END CAP	ASTM A351 CF8M
3	BALL	ASTM A351 CF8M (316SS)
4	SEAT	PTFE
5	GASKET	GRAPHITE
6	THRUST WASHER	GRAPHITE
7	STEM PACKING	GRAPHITE
8	GLAND	AISI 304
9	BELLEVILLE WASHER	AISI 6150
10	STEM	ASTM A276 - 316
11	PACKING NUT	AISI 304
12	HANDLE WASHER	AISI 304
13	HANDLE NUT	AISI 304
14	BOLT	AISI 304 Gr B8
15	HANDLE	AISI 304
16	HANDLE COVER	PVC
17	LOCK SADDLE	AISI 304
18	O-RING	VITON
19	STOP BOLT	AISI 304
20	ANTI STATIC DEVICE	AISI 304



SIZES	DN (F)	DN (R)	H	H1	H2	W	L	L1	X	DB	DS	C	ISO 5211
8NB	11	11	70	42	9	140	65	70	9	13.8	14.2	10	F04
10NB	11	11	70	42	9	140	65	70	9	17.3	17.6	10	F04
15NB	14	11	70	42	9	140	75	75	9	21.7	21.8	13	F04
20NB	20.5	14	90	50	11	180	80	90	11	27.2	27.2	15	F04-F05
25NB	25	20.5	100	60	11	180	90	100	11	34.0	33.9	15	F04-F05
32NB	31.5	25	114	72	11	215	110	110	11	42.7	42.7	15	F07
40NB	37	31.5	118	76	17.5	215	120	125	17	48.6	48.8	16	F07
50NB	50	37.0	135	93	17.5	215	140	150	17	60.5	61.2	17	F07

REV B	BROOK VALVES	
SCALE	SEP 2005	V3FSRB or V3FSFB
	TO FIT	
3-PCE BALL VALVE 316SS API 607 FIRESAFE		