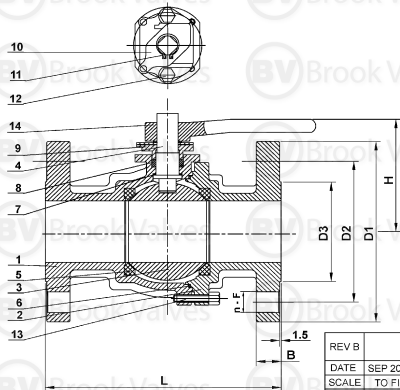


TECHNICAL REQUIREMENTS

1. DESIGN AND MANUFACTURE PER ANSI B16.34
2. FACE TO FACE DIMENSION PER ANSI B16.10
3. FLANGE CONNECTION DIMENSION PER ANSI B16.5
4. BLOW-OUT PROOF STEM / FULL PORT
5. LEVER OPERATED OR GEAR OPERATED



| NO. | PART NAME | MATERIAL |
|-----|---------------|----------|
| 1 | BODY | CF8M |
| 2 | CAP | CF8M |
| 3 | BALL | CF8M |
| 4 | STEM | 316SS |
| 5 | SEAT | PTFE |
| 6 | GASKET | PTFE |
| 7 | THRUST WASHER | PTFE |
| 8 | PACKING | PTFE |
| 9 | GLAND | 304SS |
| 10 | STOPPER | 304SS |
| 11 | SNAP RING | 304SS |
| 12 | GLAND BOLT | 304SS |
| 13 | STUD BOLT | 304SS |
| 14 | SET NUT | 304SS |
| 15 | HANDLE | WCB |

| SIZE | L | H | D1 | D2 | D3 | B | n-F |
|------|-----|-----|-----|----|-----|------|-----|
| 15 | 108 | 85 | 89 | - | 35 | 11.1 | - |
| 20 | 117 | 90 | 98 | - | 43 | 11.1 | - |
| 25 | 127 | 100 | 108 | - | 51 | 11.1 | - |
| 32 | 140 | 105 | 117 | - | 64 | 12.7 | - |
| 40 | 165 | 110 | 127 | - | 73 | 14.3 | - |
| 50 | 178 | 120 | 152 | - | 92 | 15.9 | - |
| 65 | 190 | 160 | 178 | - | 105 | 17.5 | - |
| 80 | 203 | 170 | 190 | - | 127 | 19.1 | - |
| 100 | 229 | 185 | 229 | - | 157 | 23.9 | - |
| 125 | 356 | 260 | 254 | - | 186 | 23.9 | - |
| 150 | 394 | 280 | 278 | - | 216 | 25.4 | - |
| 200 | 457 | 340 | 343 | - | 270 | 28.6 | - |

REV B

BROOK VALVES

DATE SEP 2008

V2F-150UD

SCALE TO FIT

316SS BALL VALVE FB CLASS 150 LEVER OP