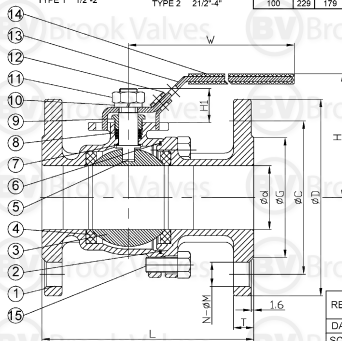


SIZE (d)	D	C	G	T	N	M	L	H	H1	W	W1	ISO 5211	E	Ma
15	89	67	35	11.1	4	14	108	72	16.5	123	6.5	F03	36	M5
20	98	73	43	11.1	4	14	117	76	16.5	123	6.5	F03	36	M5
25	108	83	51	11.1	4	14	127	92	23.5	183	9.5	F05	50	M6
32	117	87	64	12.7	4	14	140	95	21	153	8	F04	42	M5
40	127	98	73	14.3	4	14	165	125	37.5	246	12	F07	70	M8
50	152	114	92	15.9	4	17	178	132	37.5	146	12	F07	70	M8
65	178	127	105	17.5	4	17	190	166	47	285	16	F07-F10	70-102	M10
80	190	146	127	19.1	4	17	203	176	47	285	16	F07-F10	70-102	M10
100	229	179	157	23.9	8	17	229	189	47	385	16	F07-F10	70-102	M10



1. FACE TO FACE DIMENSION: ANSI B16.10
2. END FLANGE DIMENSION: ANSI B16.5
3. TEST: API 598
4. BLOW-OUT PROOF STEM / FULL PORT
5. WITH ISO 5211 MOUNTING PAD
6. INVESTMENT CASTING BODY
7. LOCKING DEVICE
8. DRILLED TO SUIT TABLE E: AS 2129

NO.	PART	MATERIAL
1	BODY	ASTM A351 CF8M
2	CAP	ASTM A351 CF8M
3	BALL	ASTM A351 CF8M
4	SEAT	PTFE
5	STEM	SUS 316
6	GASKET	PTFE
7	THRUST WASHER	PTFE
8	PACKING	PTFE
9	GLAND	SUS 304
10	SPRING WASHER	SUS 304
11	STEM NUT	SUS 304
12	LOCKING DEVICE	SUS 304
13	HANDLE	SUS 304
14	PLASTIC COVER	PLASTIC
15	BOLT	SUS 304

REV C	BROOK VALVES V2F-E		
DATE			NOV 2010
SCALE			TO FIT
316SS BALL VALVE FB CLASS 150 DRILLED TABLE E LEVER OP			