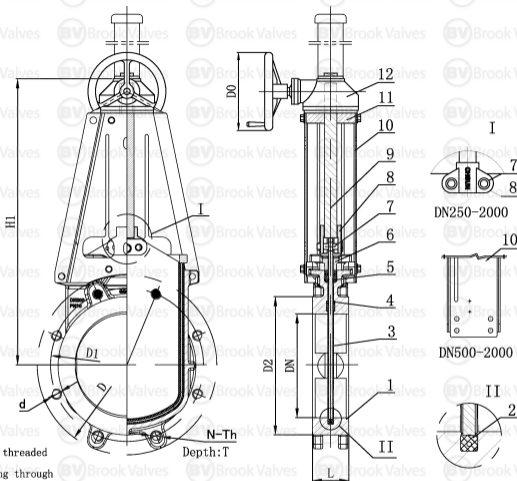


SIZE	L	D	D1	D2	D0	N-Th	T	d	H1
450	89	640	584	553	450	12 - M24	20	26	1220
500	114	705	641	610	450	16 - M24	24	26	1330
600	114	825	756	721	500	16 - M27	27	30	1460



WORKING PRESSURE	
50NB - 100NB	16 Bar
125NB - 200NB	14 Bar
250NB - 300NB	12 Bar
350NB - 400NB	10 Bar
450NB - 550NB	8 Bar
600NB - 650NB	5 Bar
700NB - 750NB	4 Bar
800NB - 900NB	3 Bar
1000NB - 1200NB	2 Bar

NO.	PART NAME	MATERIAL
1	BODY	GGG40
2	SEALING RING	NBR
3	DISC	SS316
4	GUIDE PAD	PTFE
5	PACKING	PTFE (EPDM)
6	PACKING GLAND	WCB
7	PIN	CARBON STEEL
8	CHUCK	WCB
9	STEM	SS316
10	YOKE	Q235 (Cr.D)
11	YOKE HEAD	HT200
12	BEVEL GEAR	ASSEMBLY

DESIGN & MFT	MSS SP-81	ENDS CONNECTION	SEMI LUGGED
PRE-TEMP. RATING	ISO 7005-1	INSPECT & TEST	MSS SP-81-2001
F-F DIMENSION	MSS SP-81-2001	FLANGED DIMENSION	AS 2129 TABLE D
MARKING	MSS-SP-25	LOGO	BV IN A CIRCLE
PAINTING	FBE - BLUE	TEST STANDARD	API-598

REV D	BROOK VALVES	
DATE	DEC 2018	BKGV-D - DI / NBR
SCALE	TO FIT	
DUCTILE IRON BODY 316SS GATE SEMI LUGGED NBR SEAT KNIFE GATE VALVE GEAR OP		