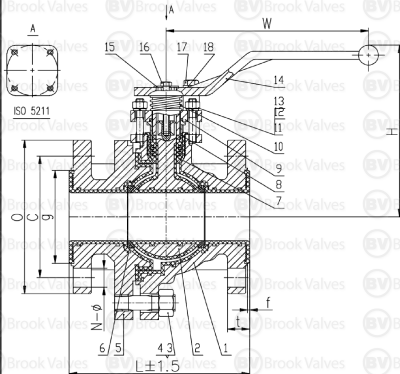


FEATURES

- DESIGN AND MANUFACTURED API 608
- FACE TO FACE: ASME B16.10
- FLANGED ENDS: ASME B16.5
- TESTING & INSPECTING: API 598
- STAINLESS STEEL BODY

TEST PRESSURE		Mpa
API 598	SHELL	SEAT
HYDROSTATIC	3.0	2.2
AIR	-	0.6
TEMPERATURE RATING		-29 to 180°C
APPLICABLE MEDIUM		ACID, ALKALI, SALT

NO.	PART NAME	MATERIAL
1	BODY	ASTM A351 CF8+PFA
2	BALL	ASTM A351 CF8+PFA
3	BOLT	ASTM 304SS
4	NUT	ASTM 304SS
5	BONNET	ASTM A351 CF8+PFA
6	SEAT	PTFE
7	PACKING	PTFE
8	PACKING BUSHING	ASTM A276 304
9	PACKING GLAND	ASTM A351 CF8
10	SPRING	AISI 321
11	BOLT	ASTM A276 304
12	NUT	ASTM A276 304
13	SPRING	AISI 321
14	WRENCH	AISI 321
15	GASKET	AISI 321
16	BOLT	ASTM A276 304
17	BOLT	ASTM A276 304
18	LOCK	AISI 321



SIZE	L	o	c	g	t	f	N-φ	H	W	ISO	TORQUE
15	108	90	60.5	35	12.5	2	4-φ15	128	160	F05	9
20	117	100	70	43	13	2	4-φ15	128	160	F05	9
25	127	110	79.5	51	13	2	4-φ15	133	160	F05	9
32	140	115	88.9	63.5	15	2	4-φ15	160	200	F07	20
40	165	125	98.5	73	17	2	4-φ15	160	200	F07	20
50	178	150	120.5	92	18.5	2	4-φ19	170	200	F07	26
65	190	180	140	105	20	2	4-φ19	170	200	F07	26
80	203	190	152.5	127	21.5	2	4-φ19	230	260	F07	65
100	229	230	190.5	157	26.5	2	8-φ19	265	313	F10	91
150	267	280	241.5	216	27	2	8-φ22	367	535	F12	143
200	292	345	298.5	270	29	2	8-φ22	GEAR		F14	364

REV	A	BROOK VALVES	
DATE	Jul-20	BV2PF 304	
SCALE	TO FIT		
304SS 2 PIECE PFA LINED ANSI 150 BALL VALVE			